

Trickle use

Specifications

Nominal Voltage(V)

12V

Nominal Capacity

| | | | | |
|--------------|--------|----|---------|---------|
| 20 hour rate | (1.3A | to | 10.50V) | 26Ah |
| 10 hour rate | (2.47A | to | 10.50V) | 24.7Ah |
| 5 hour rate | (4.42A | to | 10.20V) | 22.1Ah |
| 1 C | (26A | to | 9.60V) | 13.87Ah |
| 3 C | (78A | to | 9.60V) | 9.1Ah |

Weight

Approx. 8.0kg(17.6Lbs.)

Internal Resistance (at 1KHz)

Approx. 11 mΩ

Maximum Discharge Current for

5 seconds: 390A

Charging Methods at 25°C(77°F)

| | |
|----------------------------|----------------|
| Maximum Charging Current : | 7.8A |
| Standby use: | |
| Float Charging Voltage | 13.5 to 13.8V |
| Coefficient | -3.0mV/°C/cell |

Operating Temperature Range

| | | | |
|-----------|------------|----|-------------|
| Charge | -15°C(5°F) | to | 40°C(104°F) |
| Discharge | -15°C(5°F) | to | 50°C(122°F) |
| Storage | -15°C(5°F) | to | 40°C(104°F) |

Charge Retention (shelf life) at 20°C(68°F)

| | |
|---------|-----|
| 1 month | 92% |
| 3 month | 90% |
| 6 month | 80% |

Case Material

ABS UL94 HB
Option: Flammability resistance of (UL94 V-0)

Design Life

3-5 Years.

Terminal

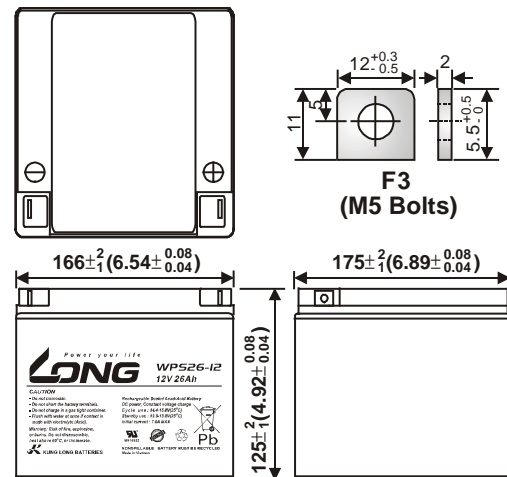
F3



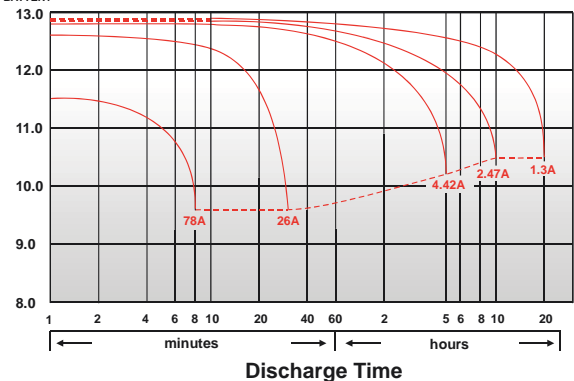
Dimensions

| | |
|---------------------|--------------------------|
| Length (L) | 166±2-1 (6.54±0.08-0.04) |
| Width (W) | 175±2-1 (6.89±0.08-0.04) |
| Height (H) | 125±2-1 (4.92±0.08-0.04) |
| Overall Height (HT) | 125±2-1 (4.92±0.08-0.04) |

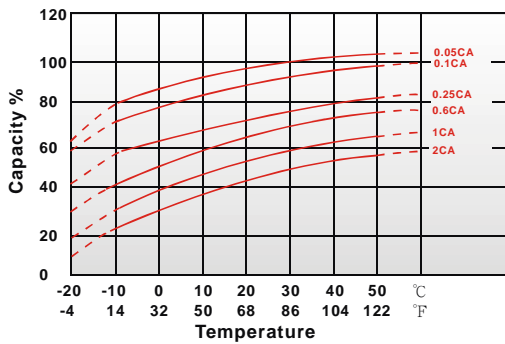
mm(inch)



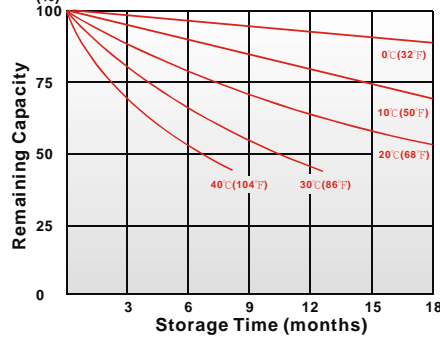
(V) FOR 12V BATTERY Discharge Time VS. Discharge Current (25°C)



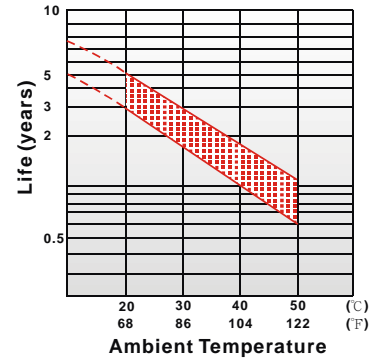
Effect of Temperature on Capacity 25°C(77°F)



Capacity Retention Characteristic



Trickle (or float) Service Life



- PERFORMANCE DATA

Discharge Rates in Watts to Various End Voltages at 25°C(77°F)

| End Voltage | | 1.85V | 1.80V | 1.75V | 1.70V | 1.67V | 1.65V | 1.60V |
|-------------|-----|-------|-------|-------|-------|-------|-------|-------|
| Time | | | | | | | | |
| 5 | min | 114 | 129 | 142 | 155 | 159 | 165 | 177 |
| 10 | min | 88.2 | 99.7 | 106 | 111 | 114 | 117 | 122 |
| 15 | min | 70.2 | 76.5 | 80.8 | 84.3 | 86.7 | 88.2 | 91.3 |
| 30 | min | 41.0 | 44.5 | 46.5 | 48.0 | 48.8 | 49.5 | 50.3 |
| 60 | min | 27.0 | 28.5 | 29.3 | 30.0 | 30.2 | 30.5 | 30.8 |
| 120 | min | 14.6 | 15.4 | 15.9 | 16.2 | 16.4 | 16.5 | 16.7 |
| 180 | min | 12.2 | 12.7 | 12.9 | 13.1 | 13.1 | 13.2 | 13.3 |
| 240 | min | 9.82 | 10.2 | 10.4 | 10.5 | 10.6 | 10.6 | 10.7 |
| 300 | min | 8.47 | 8.70 | 8.82 | 8.93 | 8.97 | 9.02 | 9.05 |
| 600 | min | 4.93 | 5.12 | 5.22 | 5.30 | 5.32 | 5.35 | 5.38 |
| 1200 | min | 2.53 | 2.62 | 2.68 | 2.73 | 2.75 | 2.77 | 2.78 |

- Discharge Rates in Amperes to Various End Voltages at 25°C(77°F)

| End Voltage | | 1.85V | 1.80V | 1.75V | 1.70V | 1.67V | 1.65V | 1.60V |
|-------------|-----|-------|-------|-------|-------|-------|-------|-------|
| Time | | | | | | | | |
| 5 | min | 70.2 | 82.3 | 90.7 | 96.1 | 98.3 | 101 | 105 |
| 10 | min | 45.8 | 50.4 | 54.6 | 58.8 | 60.5 | 62.4 | 65.6 |
| 15 | min | 37.9 | 41.1 | 43.7 | 46.2 | 47.3 | 48.2 | 49.8 |
| 30 | min | 20.8 | 23.2 | 24.7 | 25.6 | 26.2 | 26.9 | 27.7 |
| 60 | min | 14.5 | 15.0 | 15.3 | 15.5 | 15.6 | 15.7 | 15.8 |
| 120 | min | 7.65 | 7.96 | 8.08 | 8.19 | 8.22 | 8.26 | 8.31 |
| 180 | min | 6.21 | 6.41 | 6.50 | 6.53 | 6.55 | 6.58 | 6.62 |
| 240 | min | 4.97 | 5.07 | 5.14 | 5.20 | 5.22 | 5.25 | 5.28 |
| 300 | min | 4.22 | 4.35 | 4.40 | 4.44 | 4.45 | 4.47 | 4.49 |
| 600 | min | 2.48 | 2.56 | 2.60 | 2.61 | 2.62 | 2.63 | 2.64 |
| 1200 | min | 1.29 | 1.33 | 1.35 | 1.36 | 1.37 | 1.38 | 1.39 |

All data on the spec. sheet is an average value:

The tolerance range : $X < 6\text{min}$ (+15%~-15%), $6\text{min} \leq X < 10\text{min}$ (+12%~-12%), $10\text{min} \leq X < 60\text{min}$ (+8%~-8%), $X \geq 60\text{min}$ (+5%~-5%)

301018-1B